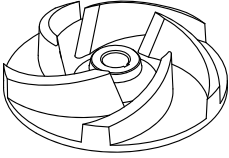


HYDROPOMPE		50 Hz
HYDRO SERIES		2 POLE
N1100M-N1100T-40T-50T		

USE

Submersible electric pumps suitable for the lifting of clear and dirty water. They are especially used in building yards and for pumping abrasive liquids. Owing to their maneuverability they can be easily moved.

MATERIALS

Cover

Anticorodal aluminium alloy

Motor housing

Anticorodal aluminium alloy

Pump housing

Anticorodal aluminium alloy

Strainer

Stainless steel AISI 304

Wear plate

Anticorodal aluminium alloy with rubber coating

Impeller

HYDRO 1100 Cast iron EN GJL 200

HYDRO 40T-50T Martensitic stainless steel

Mechanical seal motor side

Ceramics/Graphite

Mechanical seal impeller side

Silicon Carbide/Silicon Carbide (SiC/SiC)

Motor shaft

Stainless steel AISI 420

Bolts and nuts

Stainless steel Grade A2

Cable

10 meters type H07RN-F

HYDRO N1100M with 4G2,5 mm² cable, capacitor box and SCHUKO (CEE 7/VI) plug

Three-phase with 4G1,5 mm² cable

HYDRO 50T with 4G2,5 mm² cable

LIMITS TO USE

Max temperature of the liquid pumped

+40°C

pH of the liquid pumped

5÷8

Max immersion depth

20 m

Liquid density

1,1 kg/dm³

Min immersion depth

457 mm

Free passage

6 mm

Max number starts/hour

20

Acoustic pressure level issued

<70dB(A)

MOTOR

The electric motor is asynchronous with squirrel cage rotor in dry chamber

Class of insulation F

Protection degree IP68

2pole; 50Hz

Main voltage values and relative tolerance in relation to the rated voltage value:

SINGLE-PHASE

230V ±6%

THREE-PHASE

230V ±10%

400V ±10%

Other voltages on request.

OTHER FEATURES ON REQUEST

With industrial plug (IEC 60309-2) in accordance with EN 60335-2-41

With coating in composite material for wear protection*


Frequency 60 Hz (*see specific catalogue*)

Other voltages

* Possible variations of the hydraulic performance

TECHNICAL DATA

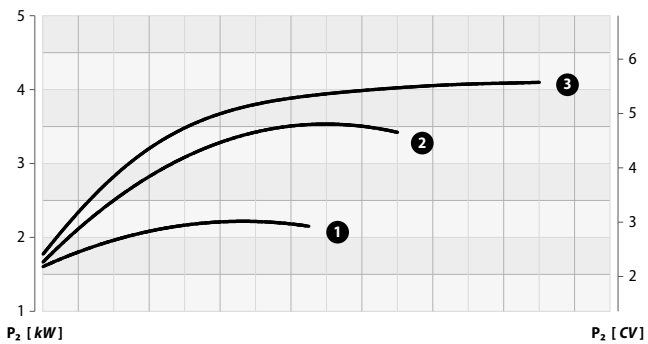
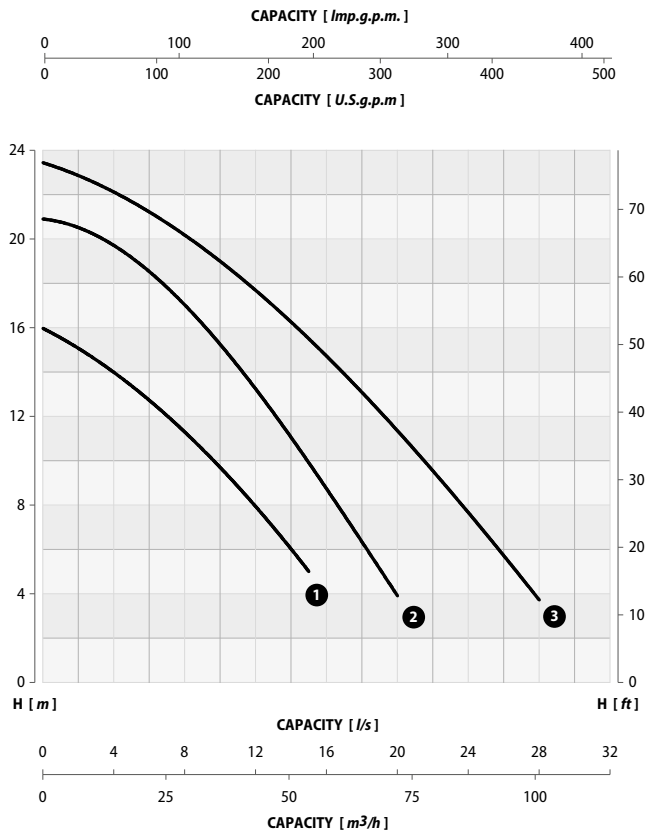
MODEL	P1		P2		VOLTAGE V	CURRENT A	CAPACITOR		CABLE m	WEIGHT kg
	kW	kW	kW	CV			µF	V		
N1100M	3,0	2,2	3,0	3,0	230 (1~)	14,0	50	450	10	33
N1100T	3,0	2,2	3,0	3,0	400 (3~)	5,2	-	-	10	30
40T	4,7	3,5	4,7	4,7	400 (3~)	8,0	-	-	10	31
50T	6,2	4,1	5,5	5,5	400 (3~)	9,9	-	-	10	35

HYDRO SERIES	N1100M-N1100T-40T-50T		OPEN IMPELLER	50 Hz
				2 POLE


PERFORMANCE RANGE

CAPACITY											
<i>l/s</i>	0	2	4	6	8	10	12	15	20	25	28
<i>m³/h</i>	0	7,2	14,4	21,3	28,8	36,0	43,2	54,0	72,0	90,0	100,8
<i>l/min</i>	0	120	240	360	480	600	720	900	1200	1500	1680

MODEL	CURVE <i>N°</i>	HEAD <i>m</i>										
		N1100M	1	16,0	15,0	14,0	12,8	11,3	9,6	8,0	5,0	-
N1100T	21,0	20,5		19,5	18,5	17,0	15,5	13,5	9,5	4,0	-	-
40T	2	23,3	22,9	22,5	21,0	20,5	18,5	17,5	15,8	11,5	6,5	3,8
50T	3											



Performance tolerance in according to UNI/ISO 9906 Grade 2

HYDRO SERIES	N1100M-N1100T-40T-50T		OPEN IMPELLER	50 Hz
				2 POLE

INSTALLATION DIMENSIONS

